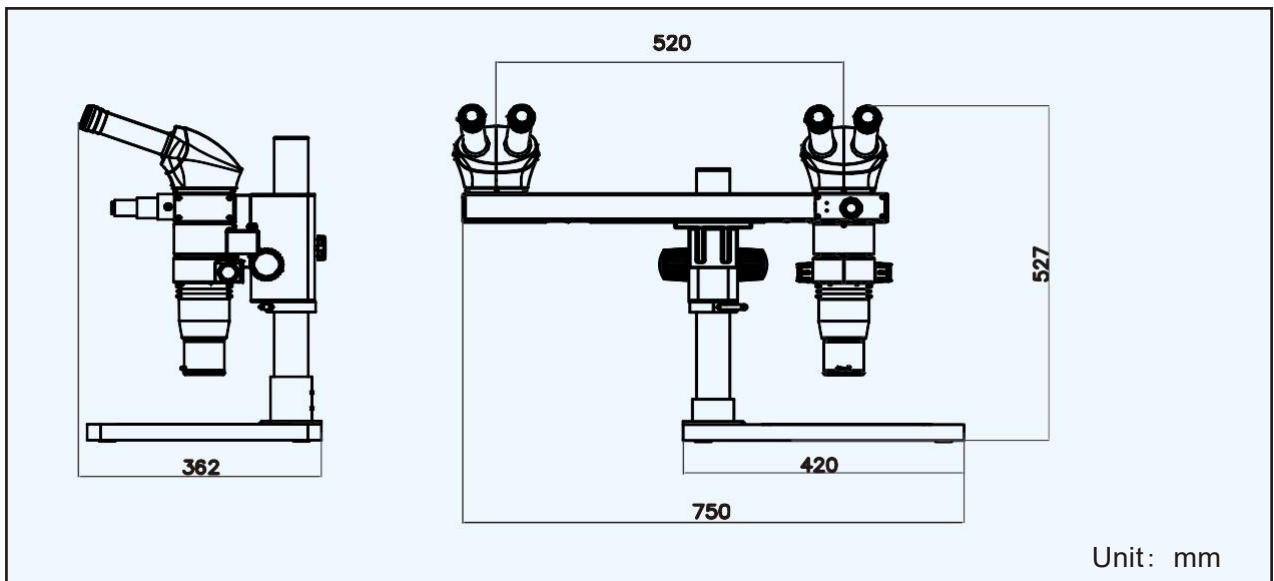


SZM-08S Dual- viewing Stereoscopic Microscopes

- Adopt the Galilean optical system.
- Can apply for double people observations of the same specimen simultaneously, eliminated the defects of digital teaching.
- The built-in indicator system, display of double color in red and green, request, can switch as convenient to focus the same target.



Dimension



Outfit

		SZ0850S	SZ0865S	SZ0880S
Optical System	Parallel optical zoom system	●	●	●
Zoom Objective	0.8X ~ 5X	●		
	0.8X ~ 6.5X		●	
	0.8X ~ 8X			●
Viewing Head	Binocular head, 20°inclined, Interpupillary distance 55-75mm	●	●	●
	Tilting binocular eyepiece tube, 0-35°inclined, Interpupillary distance 55-75mm	○	○	○
Objective	1X Plan achromatic objective WD: 78mm	●	●	●
	0.3X Achromatic objective WD: 276mm	○	○	○
	0.5X Achromatic objective WD: 195mm	○	○	○
	0.5X Plan apochromatic objective WD: 126mm	○	○	○
	2X Plan achromatic objective WD: 32.5mm	○	○	○
Eyepiece	Eyepiece for Main Viewing Head 10X/Φ22	●	●	●
	Eyepiece for Side Viewing Head 10X/Φ22	●	●	●
Pointer	LED Red and Green LED	●	●	●
Illumination	Ring illumination (LED, fluorescent)	○	○	○
Working Distance	78mm	●	●	●
Focusing Range	215mm	●	●	●
Base Stage	420mm × 350mm	●	●	●
Toughened Glass stage	250mm × 250mm	●	●	●
Optional Accessories	Coaxial illumination	○	○	○
	Epi-fluorescent attachment	○	○	○
	Iris diaphragm	○	○	○
	Beamsplitter (one port)	○	○	○
	Beamsplitter (two ports)	○	○	○
	Photography & video attachment	○	○	○
	Micrometer	○	○	○
LCD Attachment	○	○	○	

Note: ● Standard Outfit, ○ Optional